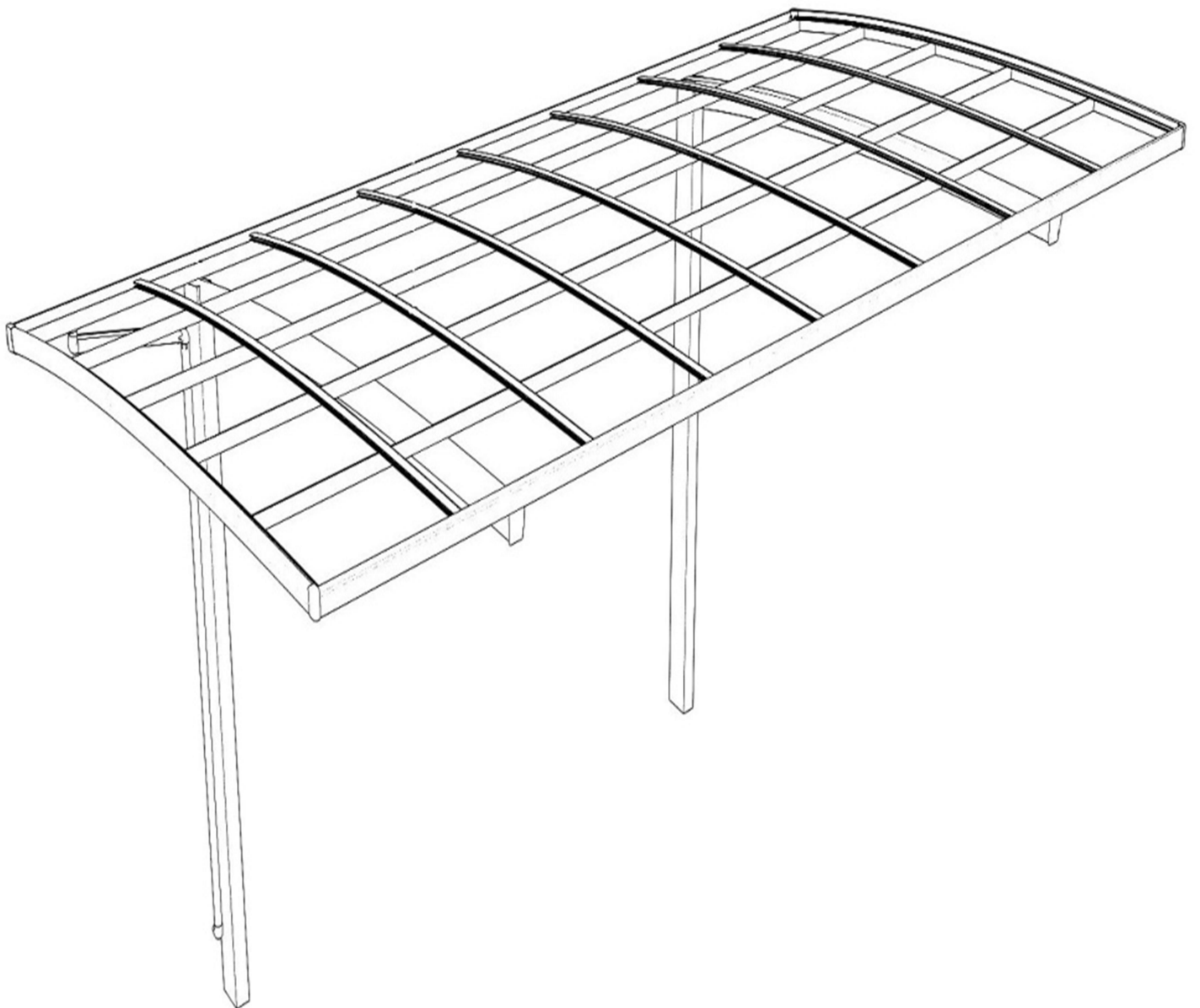
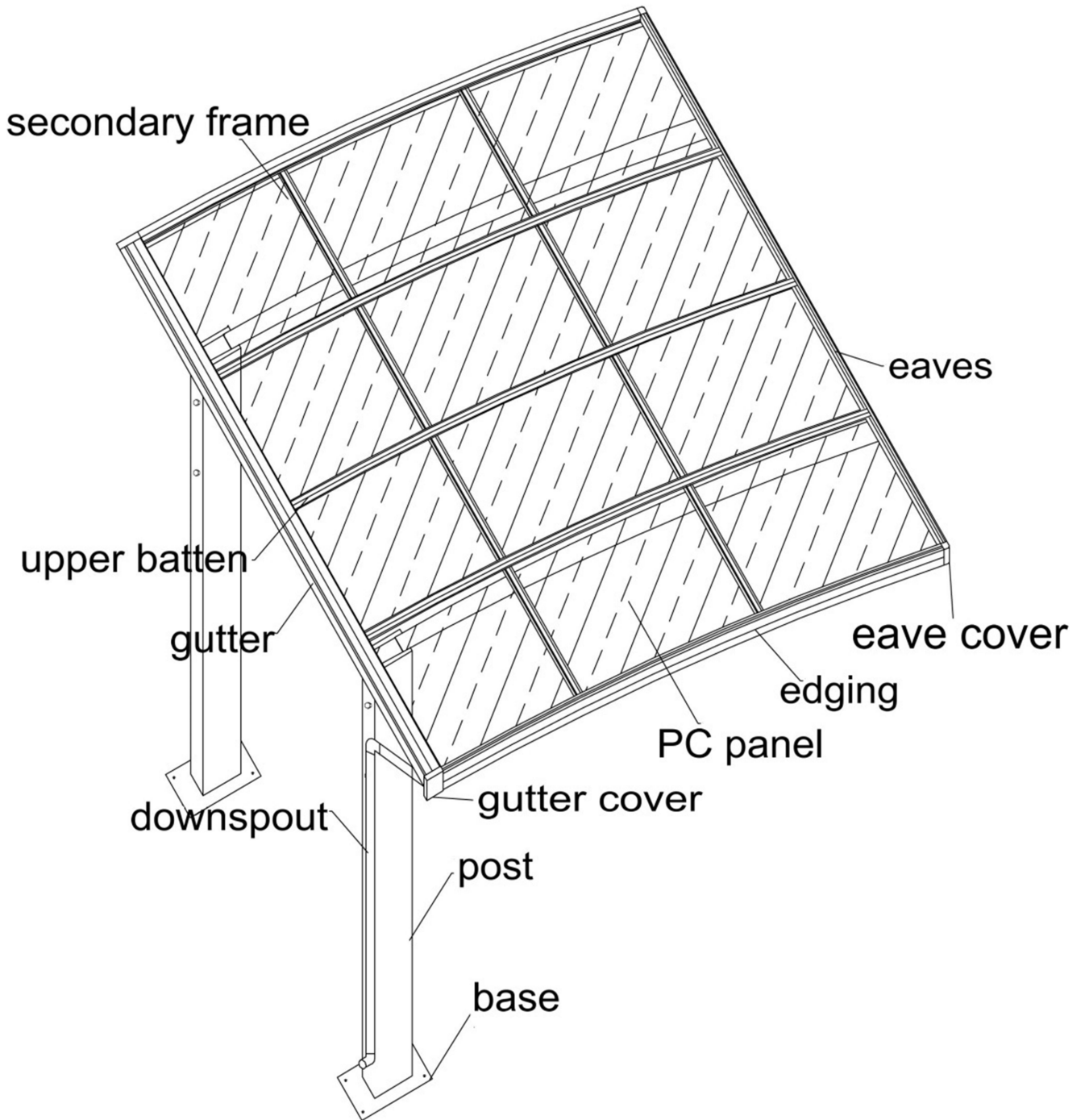


SINGLE CARPORT INSTALLATION MANUAL



Frame diagram



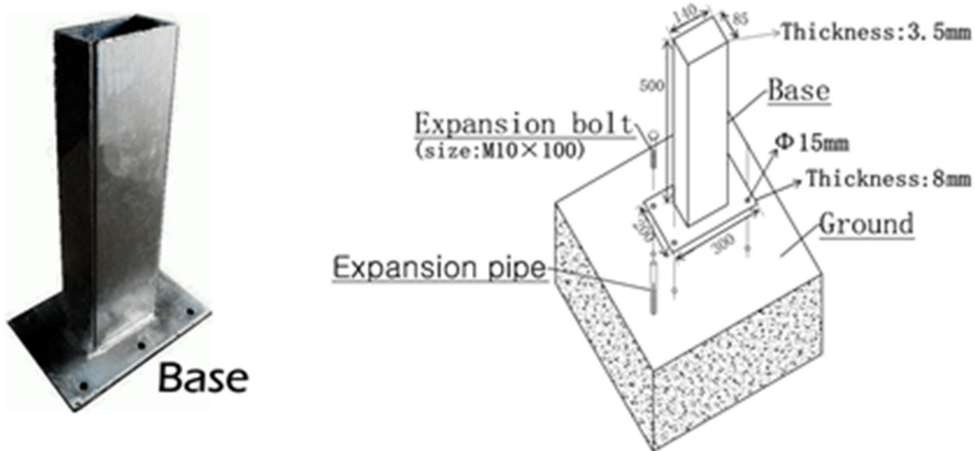
Profile details of Single carport

Profiles	Name	Dimension(mm)	Accessories	Name
	Post	Width: 160.5 Height: 91.4 Thickness:3.0		Corner accessories of eaves and gutter (left right)
	Main Frame	Width: 110 Height: 60 Thickness:2.1		Elbow steel structure
	Secondary Frame	Width: 49.5 Height: 35 Thickness:1.2		Platen board
	Eave	Width: 79 Height: 60 Thickness:1.0		fitting part of downspout
	Gutter	Width: 84 Height: 79.3 Thickness:1.2		Elbow pipe
	Edging	Width: 79 Height: 60.5 Thickness:2.2		Expansion bolt for base M10x100
	Downspout	diameter: 38 Thickness: 1.1		Self tapping Hex screw for gutter M5X80
	Upper batten	Width: 42 Height: 5.4 Thickness:1.0		Hex srew for post and main frame M8X15
	Under batten	Width: 40 Height: 10.1 Thickness:1.0		Stainless screw using for roof M4X35
	Steel base	Length:300 Width:200 Height: 500 base Thickness: 8 top thickness:3		Self tapping screw for frame M4X25

Single Carport Installation Step

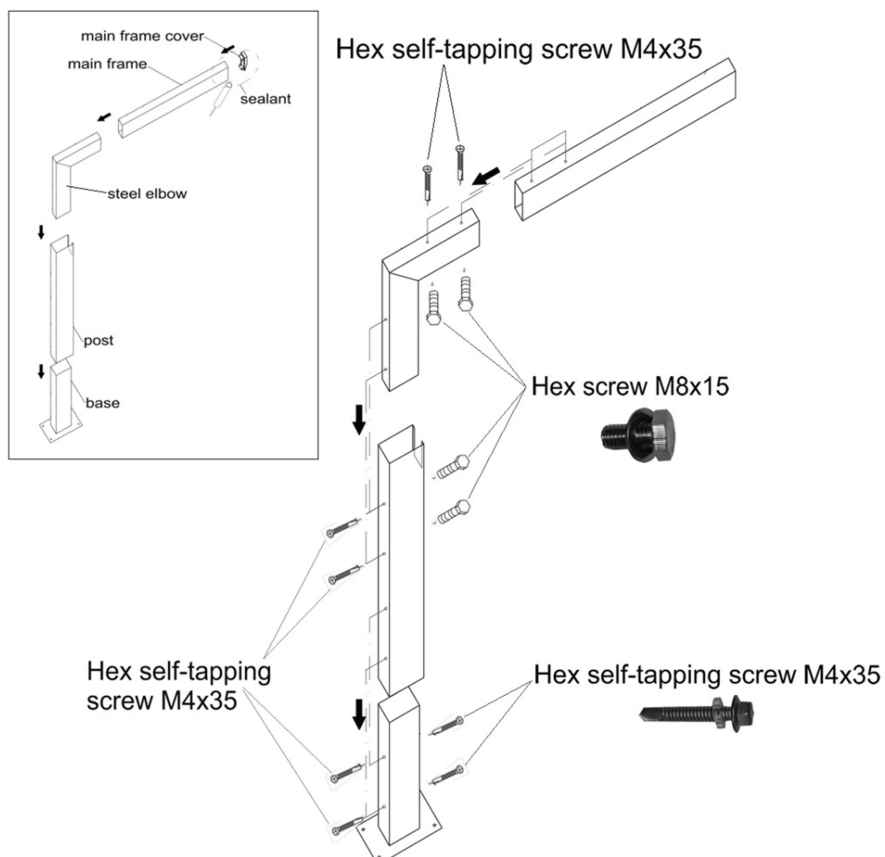
1. Base Installation

- (1) Fix base on concrete ground by expansion bolt M10x100, six bolts for each base.
- (2) Standard distance from post center to center is 3.5 meter to 4 meter.



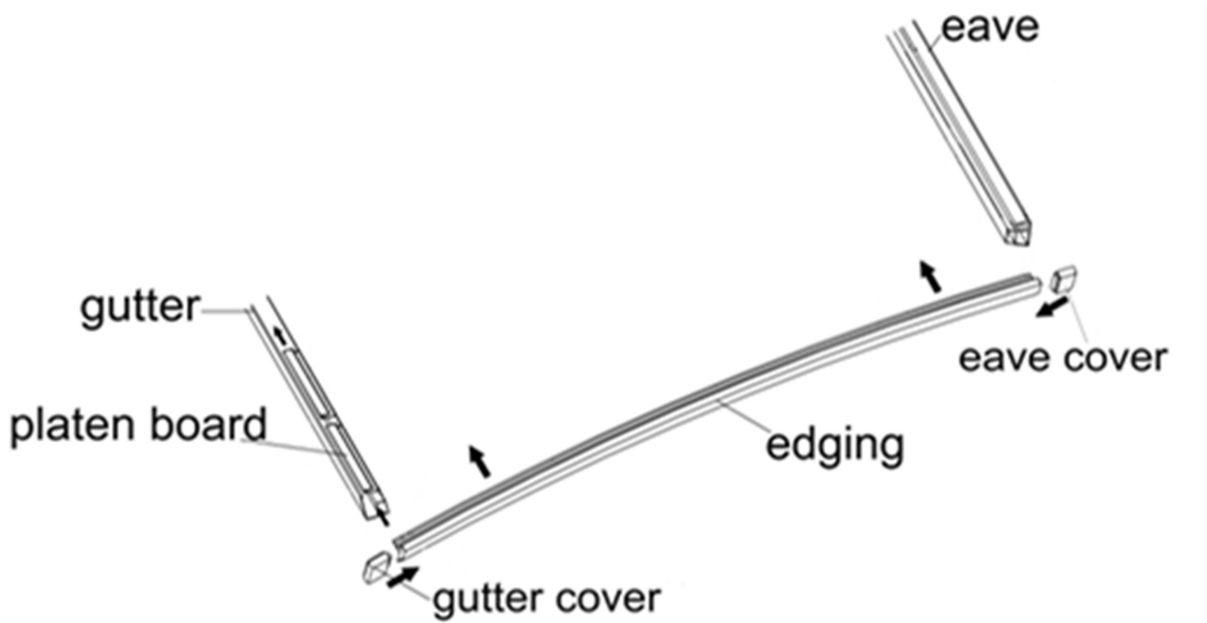
2. Post and main frame connection

- (1) While putting the post into the base, please make sure the post is perpendicular to the ground, and fix them by hex self-tapping screw M4x35 4pcs
- (2) After the post has been installed, put one side of the steel elbow into the post, and then fix them by hex screw M8x15 2pcs and M4x35 2pcs
- (3) Put the other side of steel elbow into the main frame, then fix them by hex screw M8x15 2pcs and M4x35 2pcs

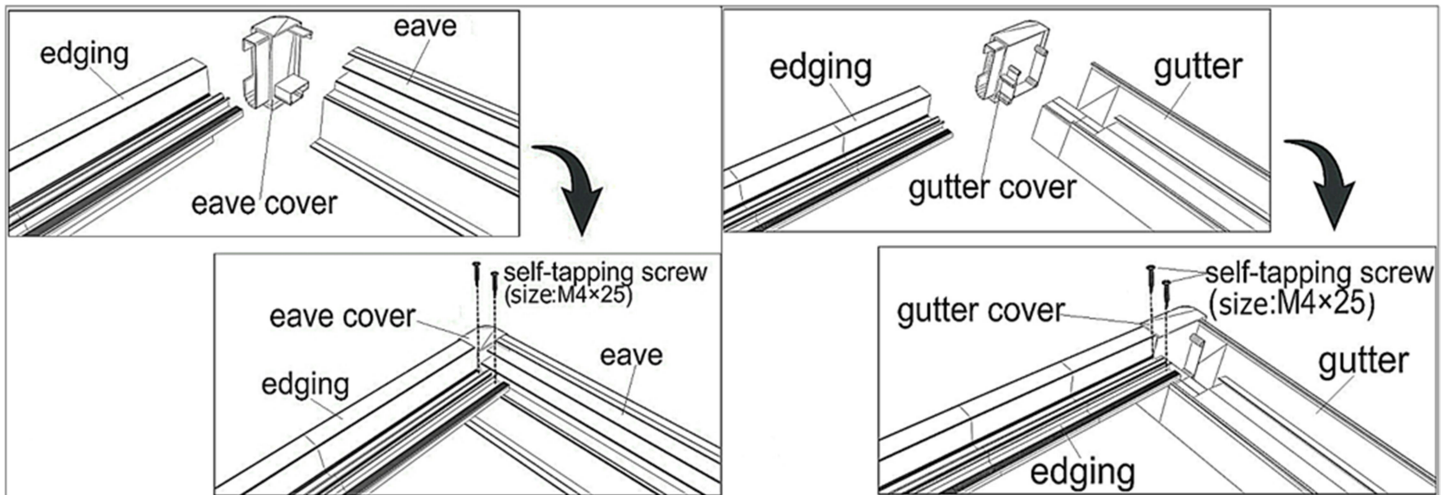


3. Installation roof structure

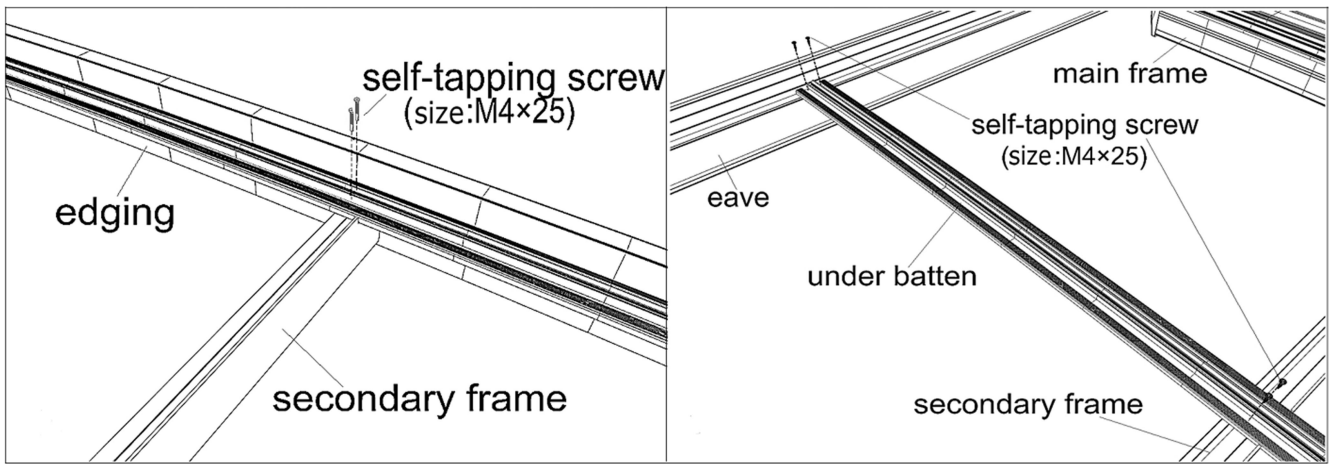
- (1) Insert the platen board into the gutter shown as bellow; **Please pay attention that the shorter ones should be at the ends of the gutter.**
- (2) Assemble the edgings, gutter, and eave with the covers.
- (3) To assemble the covers securely, please use the **rubber hammer** to fix the cover.



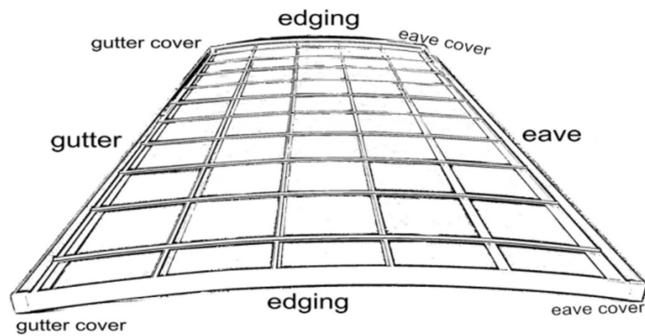
- (4) After they are assembled, **please make sure each corner is 90 degrees.** Fix all connecting parts with self-tapping screws of M4x25, 2 screws for each connection.



- (5) Install the secondary frame perpendicular to the edging. Put two ends of the secondary frame into the rabbet of the edging, and fix them with M4x25 screws, 2 screws for each crossing point.
- (6) Install the under batten perpendicular to the gutter and eave both by screw M4x25, 2 screws for each crossing point, also fix with secondary frame by screw M4x25, 2 screws for each crossing point.



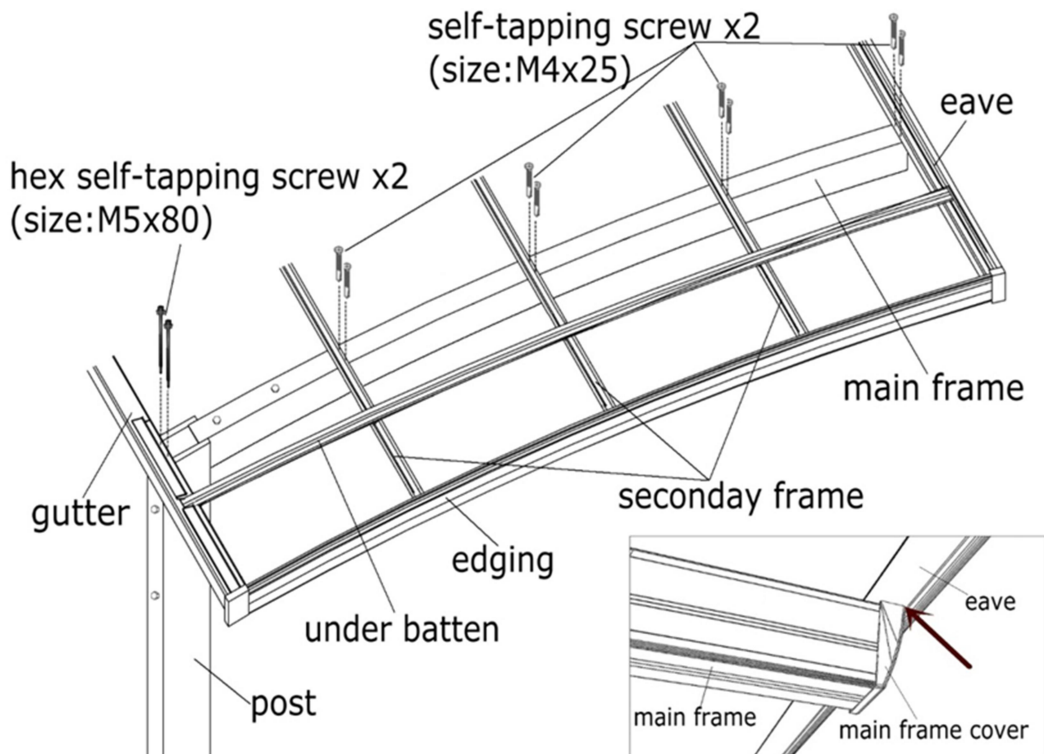
The finished roof structure



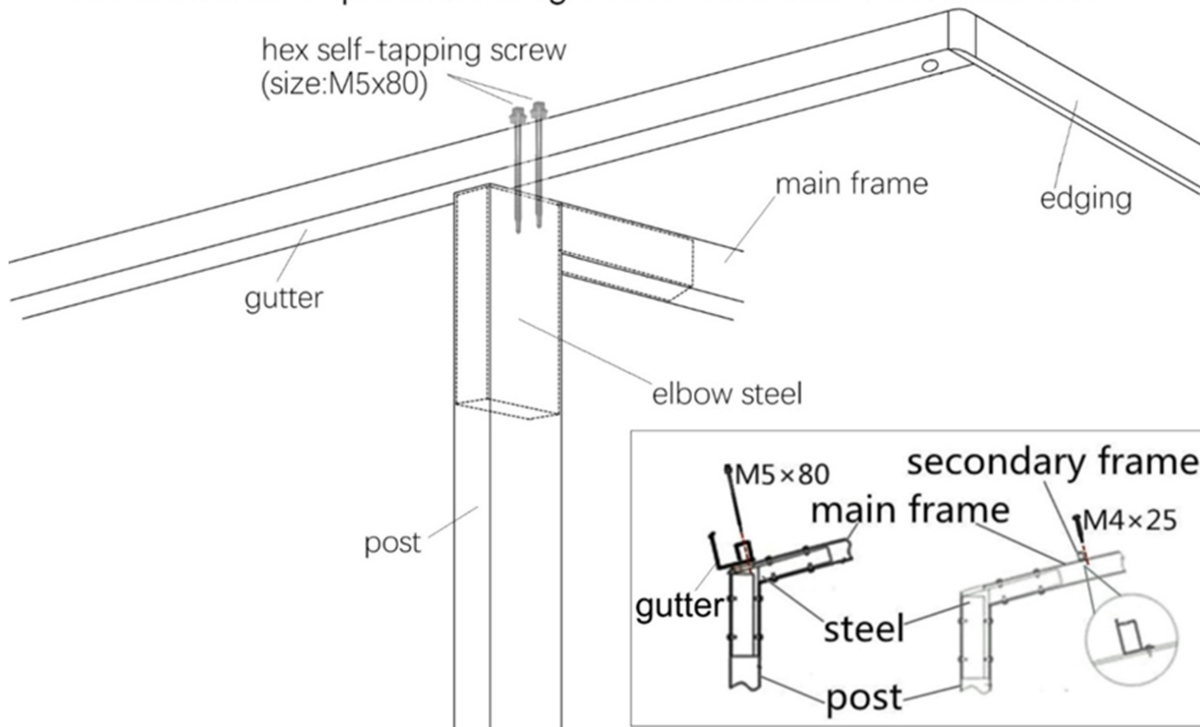
4. Fix the roof structure to the main frame.

Two to three people raise the finished roof structure horizontal, and put it on top of the main frame. (The total weight of the roof structure is about 95 lb.). Fix the secondary frame and eave to the main frame with the designated screws.

- (1) Fix the eaves to the main frame; attach the cover against the groove of eave. Fix each crossing point by M4x25 2 screws of main frames and secondary frames as shown below



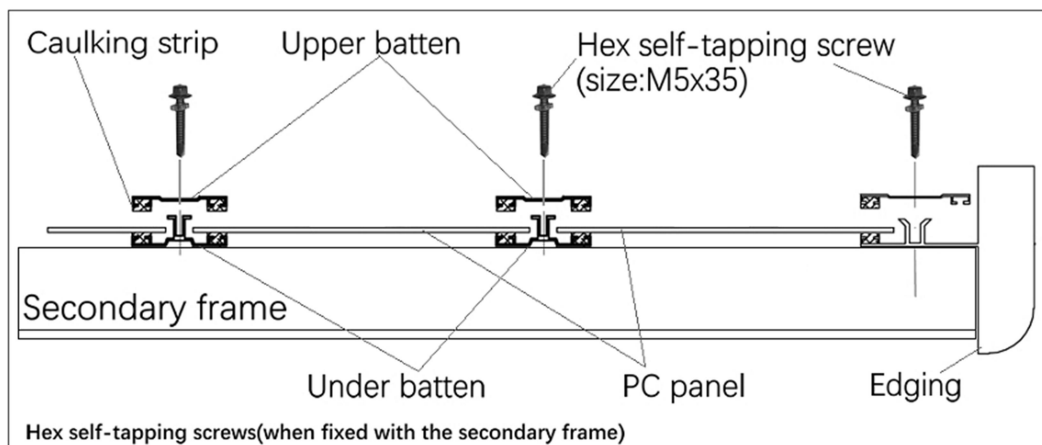
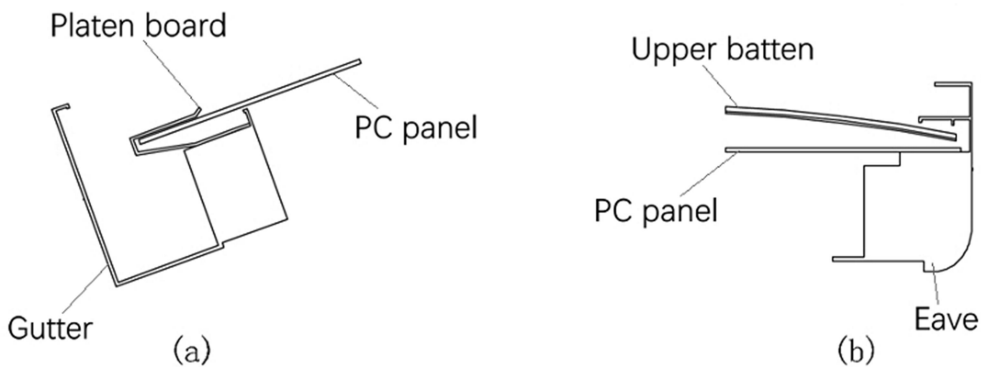
- (2) Fix the gutter to the steel elbow with hex self-tapping screws M5x80 2pcs.
the bolts have to penetrate the gutter to connect to the elbow steel

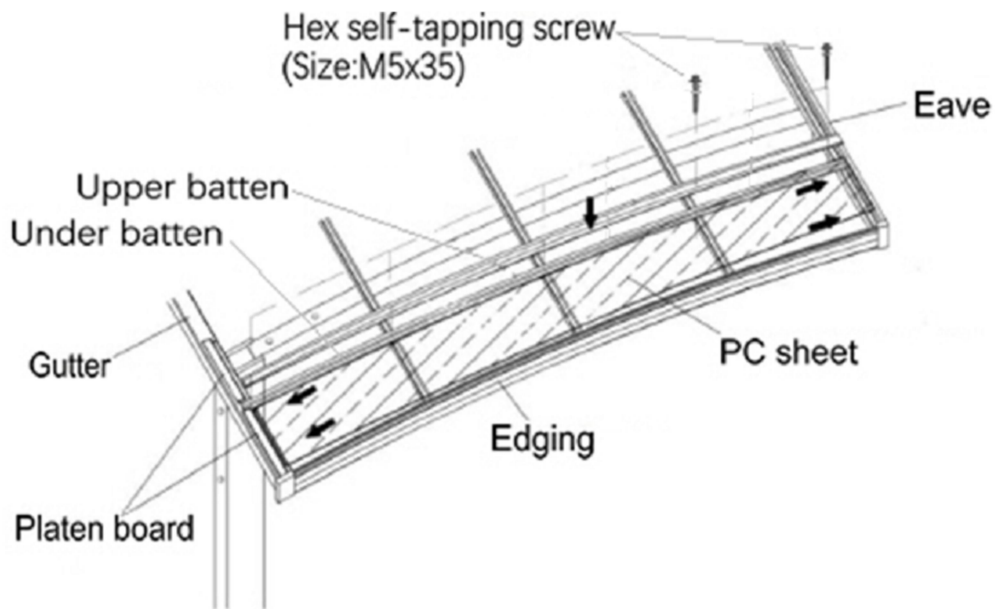


5. Install Panels

Please remove the protection film from the panel first (both sides)

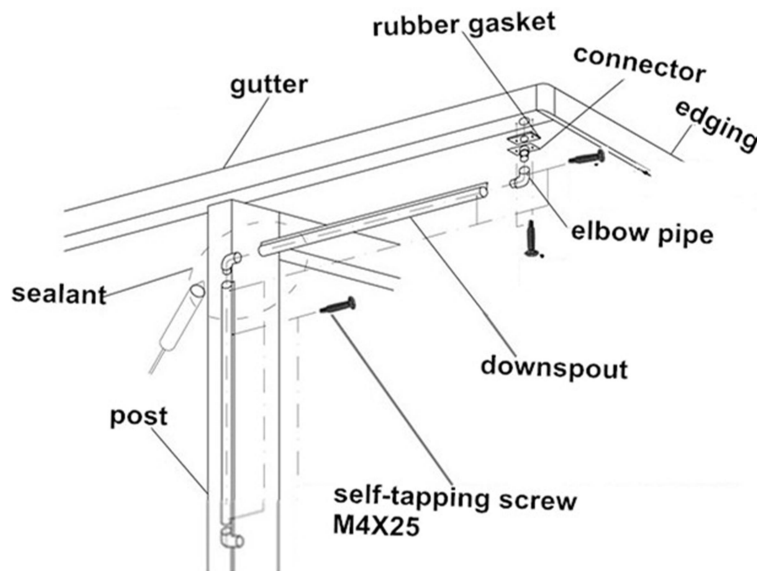
- (1) Put one side of the panel into the platen board and the other side to the groove of the eave.
- (2) Put the upper batten onto the panel. (The panel is between the under batten and upper batten), and fix them by screws M4x35, 6 screws on each upper batten.





6. Downspout Installation

- (1) Drill the drainage hole at the bottom of the gutter, in case that is not pre-drilled.
- (2) Connect the downspout and use the sealant to prevent leakage.
- (3) Fix the downspout with the self-tapping screws M4x25.



[Note]

- (1) Please use the designated screws to ensure tightening during installation.
- (2) Do not modify the material. If necessary, please consult our sales team in advance.
- (3) After finishing the installation, a general inspection is needed, such as the burrs and other safety issues.

TOOLS :



Electric Drill



Hammer



Wrench



Rubber Hammer



Tape Measure



Sealant



Screw Driver



levelling instrument